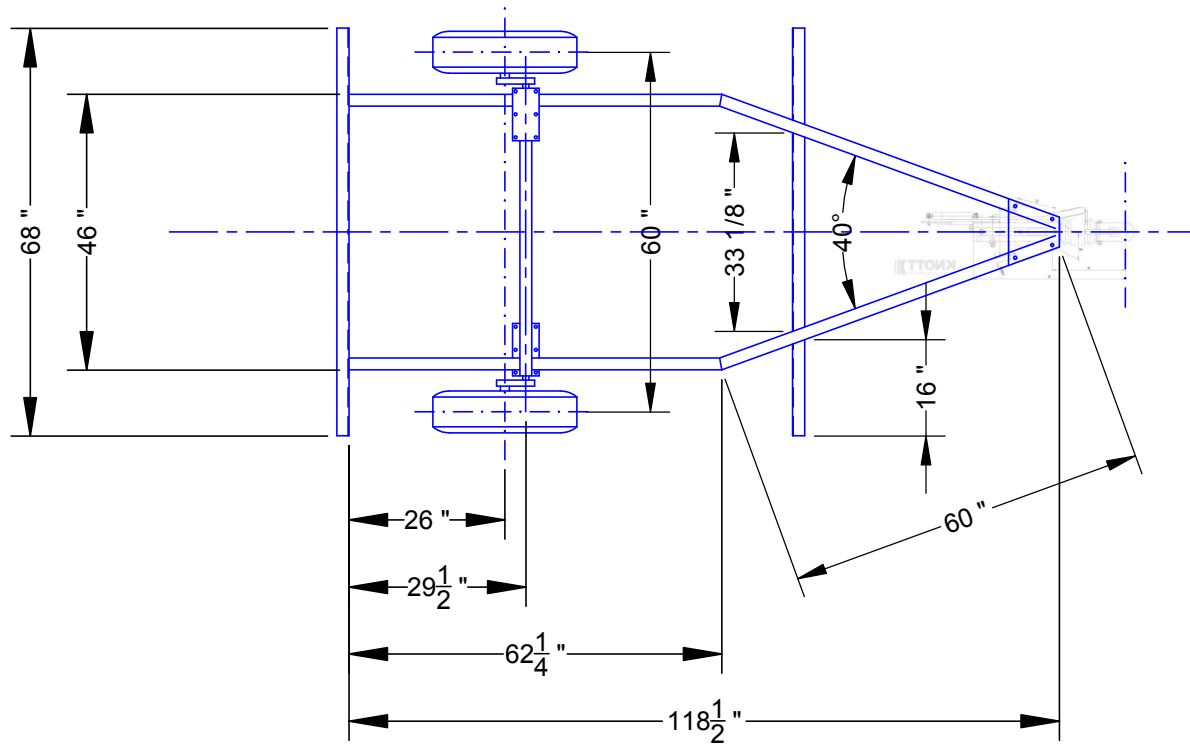


WIDGET 6
UK Chassis
1:32 & 1:4



Preliminary scantlings
(to suit 900kg capacity):
Main rails
70x70x3 SHS
Axle tube
70x50x3 RHS
Front and rear crossmembers
65 x 50 x 5 Unequal Angle
Coupling and suspension
mounting plates
6 thk

175x13 wheel on
Flexiride 900kg braked
suspension units

900kg braked coupling

